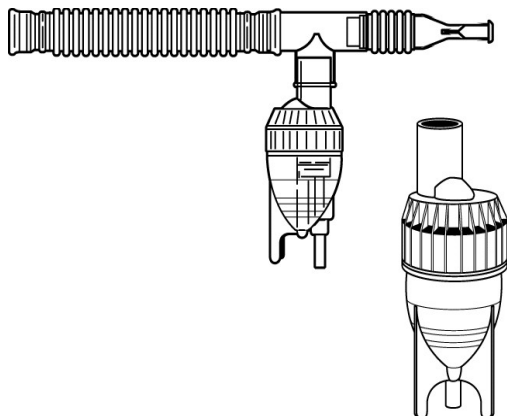


NEBULIZER with COMPRESSORS



PURPOSE: Nebulizers with compressors are manufactured to convert liquid medication into a mist so the user can inhale the medication into their lungs. This allows for a reduced dose of medication and a faster medication response time, because of the delivery directly to the lungs. These nebulizers with compressors are considered medical devices and *cannot* be sold or rented without a written order from a physician. The user must follow all manufacturers' safety and operational procedures.

TYPES: Nebulizers with compressors come in a variety of sizes and shapes and airflow outputs. There are stationary units that must be plugged into an approved, grounded electrical outlet and battery-powered models that are portable. Most insurance companies do *not* consider a portable unit a medical necessity. A quality unit has at least a 1-year warranty and a consistent airflow output.

USE: When in use, the stationary unit must always be plugged into an approved, grounded electrical outlet. The user must always abide by and follow all physicians' orders for frequency and medication dosage. Attach a clean handheld nebulizer to the output port. Instill your proper medication dose and turn on the nebulizers with compressor. Breathe slowly and deeply, unless otherwise specified by your physician, for the entire duration of your treatment. Treatments usually last approximately 10 minutes. You should continue your treatment until the medication is gone (unless otherwise instructed by your physician). When you have completed your treatment, your hand held nebulizer must be cleaned (see reverse side).

MAINTENANCE: Most units have filters that require periodic changing. Do not reuse or substitute any other material for the unit's filter. Contact your medical equipment provider for your filter needs. Your compressor should be kept free from dirt, grease, and oil. Use a mild soap and water on a rag or towel to wipe unit, never submerge unit. **Always unplug unit before cleaning.** Your handheld nebulizer must be cleaned daily. See cleaning procedure on reverse side.

NEBULIZERS: Handheld nebulizers come in disposable and semi-permanent types. The disposable types can usually be cleaned and reused for approximately a week. The semi-permanent type can usually be cleaned and reused for approximately 6 months. There are also aerosol masks that can be used in conjunction with your handheld nebulizer for those individuals disliking or who cannot tolerate the mouthpiece.

CLEANING

Your handheld nebulizer should be cleaned daily with the below procedure.

1. Disconnect your handheld nebulizer from the compressor.
2. Disassemble your handheld nebulizer.
3. Set aside the connection tubing. It cannot be cleaned. Discard if soiled.
3. Wash in hot water and with dishwashing soap to remove any debris.
5. Rinse well with hot water.
6. Then soak handheld nebulizer parts in a solution of one part vinegar to three parts hot water for 30 minutes.
7. Rinse well with hot water and allow to air dry.
8. Reassemble unit and ready for next use or store in a Ziploc® Bag.